

Pneumatic 4-inch Valve Actuator



Flowrite 4-inch Pneumatic Valve Actuator.

Description

Designed for use with the threaded Flowrite valves, the Flowrite 4-inch Pneumatic Valve Actuator has a 3/4-inch (20 mm) stroke and is available in three spring ranges.

Features

- Three spring ranges
 - 3 to 8 psi
 - 5 to 10 psi
 - 10 to 15 psi
- Visual position indication
- 3/4-inch (20 mm) stroke
- Large diaphragm area for control accuracy
- Easy installation and removal
- Rugged, all-metal housing

Applications

The Flowrite 4-inch Pneumatic Valve Actuator is designed to be used with the threaded Flowrite valves in liquid and steam service applications.

A-177

Valves

4-inch Pneumatic Actuator Specifications

Effective Diaphragm Area 11 in.² (71 cm²)
 Diaphragm Material Silicone
 Nominal Stroke 3/4" (20 mm)
 Max. Diaphragm Pressure 35 psig (241 kPa)

Air Connection 1/8" NPT
 Ambient Operating and Storage Temperature 0 to 225°F (-18 to 107°C)
 Mounting Location NEMA 1 (Interior Only)

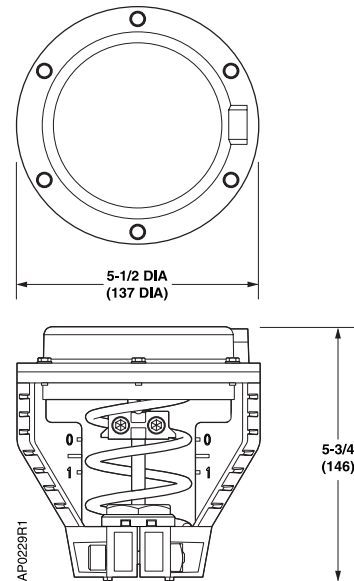
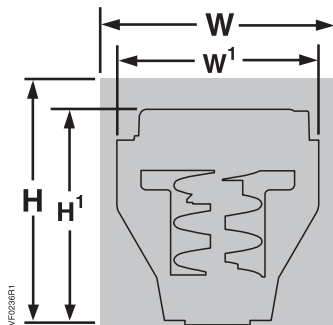
4-inch Pneumatic Actuator Product Ordering

Nominal Spring Range	Part No.	Actuator Prefix Code
3 to 8 psi (21 to 55 kPa)	599-01081	268
5 to 10 psi (34 to 69 kPa)	599-01082	269
10 to 15 psi (69 to 103 kPa)	599-01083	270

A-178

Valves

Dimensions



Dimensions shown in inches (mm).

Actuator	Height of Actuator H ¹	Service Height H	Width/Diameter of Actuator W ¹	Service Width W
4" (100 mm)	5-3/4" (146 mm)	14" (350 mm)	5-1/2" (134 mm) Dia.	18" (450 mm)

Table Note:

Service height and width are the recommended dimensions to allow access to the product.